

# INSTRUCTION MANUAL

## ELECTRIC COFFEE MAKER

### REF : 317-2090



**To ensure proper use of this appliance and your safety, please read the following instructions completely before operating this appliance.**

English – Original



## Index

<b>Safety instructions</b>	<b>3</b>
<b>Technical specifications</b>	<b>4</b>
<b>First utilization</b>	<b>4</b>
<b>Maintenance</b>	<b>5</b>
<b>Troubleshooting</b>	<b>6</b>
<b>Exploded view and spare parts list</b>	<b>7</b>
<b>Electrical circuit</b>	<b>9</b>
<b>Standards and directives</b>	<b>10</b>
<b>Machine and packaging disposal</b>	<b>10</b>



## **1. SAFETY INSTRUCTIONS**

- Incorrect operation and improper use of the appliance can seriously damage the appliance and injure users.
- The appliance may only be used for the purpose for which it was intended and designed. The manufacturer is not liable for any damage caused by incorrect operation and improper use.
- Keep the appliance and electrical plug away from water and any other liquids. In the unlikely event that the appliance should fall into water, immediately pull the plug out of the socket and have the appliance checked by a certified technician. Not following these instructions could give rise to life-threatening situations.
- Never try to open the casing of the appliance yourself.
- Do not insert any objects in the casing of the appliance.
- Do not touch the plug with wet or damp hands.
- Regularly check the plug and cord for any damage. Should the plug or cord be damaged have it/them repaired by a certified repair company.
- Do not use the appliance after it has fallen or is damaged in any other way. Have it checked and repaired, if necessary, by a certified repair company.
- Do not try to repair the appliance yourself. This could give rise to life-threatening situations.
- Make sure the cord does not come in contact with sharp or hot objects and keep it away from open fire. To pull the plug out of the socket, always pull on the plug and not on the cord.
- Make sure that no one can accidentally pull the cord (or extension cord) loose or trip over the cord.
- This appliance may only be used for the purpose it was initially designed for.
- Always keep an eye on the appliance when in use.
- Children do not understand that incorrect use of electrical appliances can be dangerous. Therefore, never let children use home appliances without supervision.
- Always pull the plug out of the socket when the appliance is not being used and always before cleaning.
- Warning! As long as the plug is in the socket the appliance is connected to the power source.
- Turn off the appliance before pulling the plug out of the socket.
- Never carry the appliance by the cord.
- Do not use any extra devices that are not supplied along with the appliance.
- Only connect the appliance to an electrical outlet with the Voltage and frequency mentioned on the appliance label.
- Avoid overloading.
- Turn off the appliance after use by removing the plug from the socket.
- Always remove the plug from the socket when filing or cleaning the appliance.
- The electrical installation must comply with the applicable national and local regulations.
- This appliance is not intended for use by persons (including children) with reduced physical, sensory or mental capabilities, or lack of experience and knowledge, unless they have been given supervision or instruction concerning use of the appliance by a person responsible for their safety.
- Do not place the appliance immediately beside hot appliances.
- Never pour hot water into water reservoir.
- Never pour more than one decanter of water into the reservoir



## 2. TECHNICAL SPECIFICATIONS

Voltage	230 V
Frequency	50-60 Hz
Power	2020 W
Capacity	maximum 100 cups / hour
Brewing time	1.8 litres / 5 minutes
Brewin temperature	93°~96°C
Temperature after 6 hours on warming plate	max. 80°C
Paper filter	90/250 mm
Dimensions	400x205x(h)455 mm
Packaging dimensions	495x260x515 mm
Net / gross weight	6.15 / 7.78 kg
Content glass decanter	1,8 litre

## 3. FIRST UTILIZATION

1. Place the coffee machine on a stable flat surface.
2. Put the filter in the holder.
3. Fill the coffee pot with cold water and pour it in the water reservoir. Wait 1 minute for the water to force the air out of the appliance.
4. Place the empty coffee pot in the correct position under the filter pan.
5. Turn the power switch ON.
6. HOT WATER will soon start dripping into the pot.
7. The in-use indicator lamp will turn off in 4 or 5 minutes.
8. Repeat steps 3 to 7 a few times to clean the appliance thoroughly before making coffee for the first time
9. It is normal for steam to escape during this process and for the dripping water to make gurgling sounds.

Never pour hot water into the water reservoir.

### Making coffee

To make coffee follow these steps:

1. Prepare the filter pan as described above. Add the desired amount of ground coffee, depending on your taste. The recommended amount is 75-90 gm per pot of water (1.6-1.8 litre)
2. Place the filter pan in the holder.
3. Fill the coffee pot (glass decanter, vacuum pot or thermos depending on model type) with the desired amount of water and pour it in the water reservoir.
4. Place the empty pot directly under the filter pan.
5. Turn the power switch ON. The in-use indicator lamp will light up to indicate that the machine has started to operate.
6. After some time coffee will start to drip into the coffee pot.
7. When all of the water has passed through the machine, the in-use indicator lamp will switch off
8. Turn off the power switch and close the thermos (if applicable) by twisting the lid on. The coffee is ready to be served.
9. The appliance has an overflow tube to allow extra water in the reservoir to escape, but since the coffee pot can hold only 1.8 litres of water we recommend that you never fill the reservoir with more than 1.8 litres of water.
10. Some water will always be left in the machine and in the tubes. If you do not use or move the appliance for a long time, it is best to empty the appliance and clean it before storing it.
11. If you have emptied the appliance (as recommended in no. 10 above), before using it again you should repeat steps 1-7 of Preparing the appliance for use.



12. If you haven't used the appliance for a short time, rinse it out with clean water before use.

Do not forget to turn the appliance off after use.

#### **4. MAINTENANCE**

##### Cleaning

It is important to clean the appliance and parts after using. The best way to clean grime or deposits from the appliance, filter pan, pot or water tubes is with a soft, wet cloth and a mild cleaner if necessary (never use a product that is corrosive or abrasive).

##### Descaling

After some time limestone deposits will build up on the heating element. To keep the appliance in optimum condition and to ensure that your coffee retains its delicious flavour, we recommend that you de-scale the appliance on a regular basis. When the red warning light on the front of the machine is lit, this indicates the appliance must be decalcified.

- To de-scale use a de-scaling agent that is suitable for coffee makers. You can also use pure lemon juice, citric acid or cleaning vinegar as a de-scaling agent. To ensure the proper mixture, read the instructions supplied with the agent. For pure lemon juice or cleaning vinegar the general mixture applies of 1/3 cleaning vinegar or lemon juice to 2/3 water.
- Place the filter pan in the holder
- Place an empty coffee pot under the filter pan.
- Pour the water with the solution in the water reservoir.
- Turn the power switch ON.
- The water that is still in the appliance will now pass through it. As soon as the solution begins to flow through the appliance, turn it off.
- Wait 5-6 minutes to give the solution time to break down the calcium in the appliance. Turn the appliance on again so the solution (now containing the calcium deposits) can pass through it.
- When all of the solution has passed through the appliance, turn the appliance off and throw the solution away.
- Pour clean water in the water reservoir and allow it to flow through the appliance (see steps 1 to 7 of Preparing the appliance for use) until the smell and taste of the solution are completely gone.
- The appliance can now be used again.

##### Regular maintenance

For the best coffee result and the extension of the life span of the coffee maker, is it better to avoid the red light on the front from lighting up (this means de-scaling needs to be done). You should use (just as with de-scaling) a de-scaling agent for coffee makers or pure lemon juice, citric acid or cleaning vinegar. To ensure the proper mixture, read the instructions supplied with the agent. For pure lemon juice or cleaning vinegar the general mixture applies of 1/3 cleaning vinegar or lemon juice to 2/3 water.

- Place an empty coffee pot under the filter pan.
- Pour the water with the solution in the water reservoir.
- Turn the power switch ON.
- When all of the solution has passed through the appliance, turn the appliance off and throw the solution away.
- Pour clean water in the water reservoir and allow it to flow through the appliance (see steps 1 to 7 of Preparing the appliance for use) until the smell and taste of the solution are completely gone.
- The appliance can now be used again.

Note: Warranty is void if failure to de-scale regularly leads to reduced functioning or failure of the appliance.



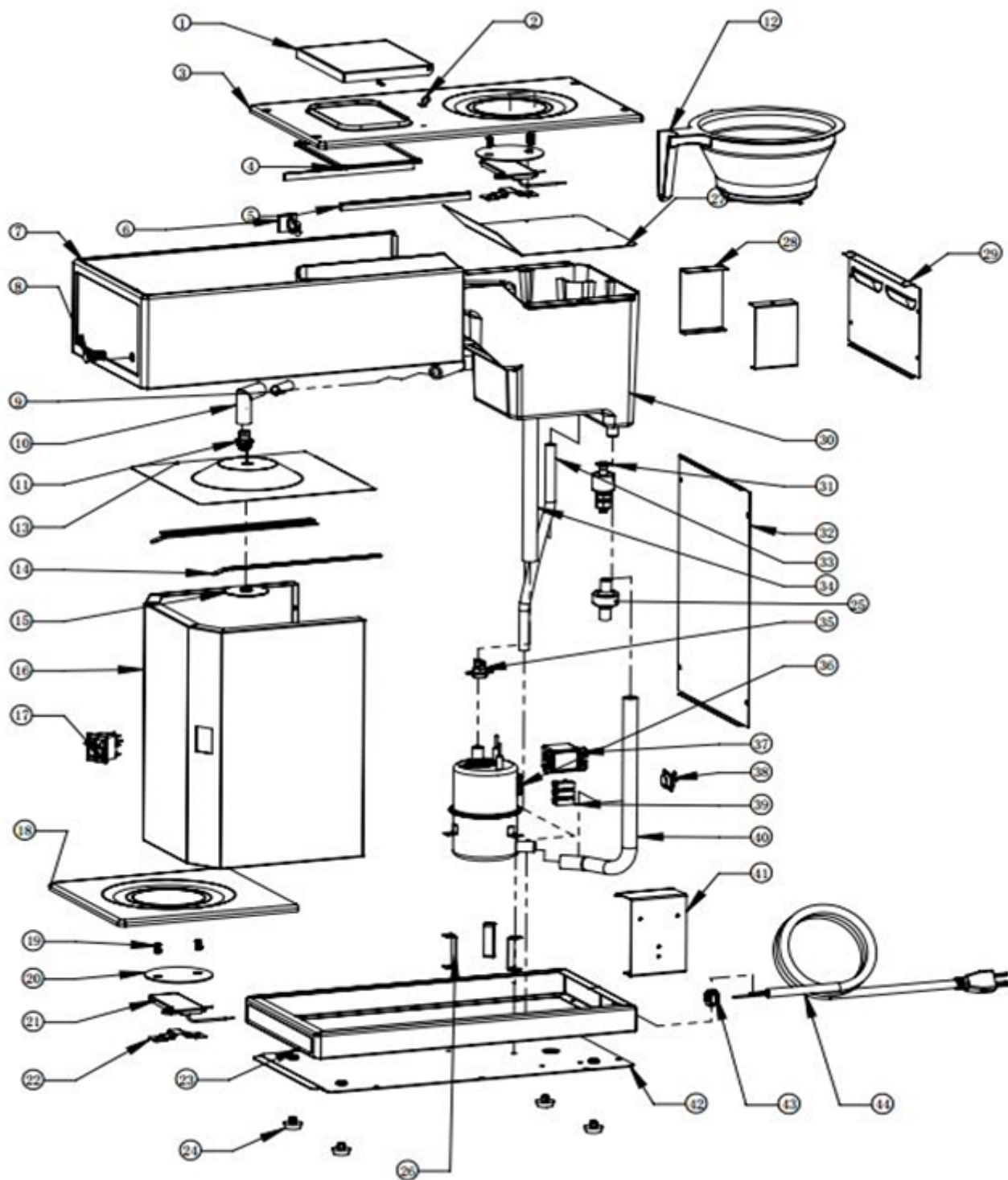
## 5. TROUBLESHOOTING

Possible problems and how to solve them

Problem	Possible cause	Solution
Power switch is in ON position, but the lamp on the switch and the in-use indicator lamp do not light up.	1. Appliance is not plugged in. 2. Power switch is broken.	1. Insert plug into socket. 2. Contact your supplier for a new switch.
Power switch is in the ON position and the lamp on the switch is on, but the in-use indicator lamp does not light up.	1. Relay is broken. 2. Water level sensor is broken.	Contact your supplier.
Power switch is in the ON position and both lamps are lit up but the water is not passing through the machine.	1. Heating element is broken. 2. Temperature safety device is damaged.	Contact your supplier.
Appliance works, but water flow is sometimes interrupted for more than five minutes.	1. Relay is broken. 2. Temperature safety device is damaged.	Contact your supplier.
A fuse in the fuse box blows when the appliance is turned on.	1. Short circuit	Contact your supplier.

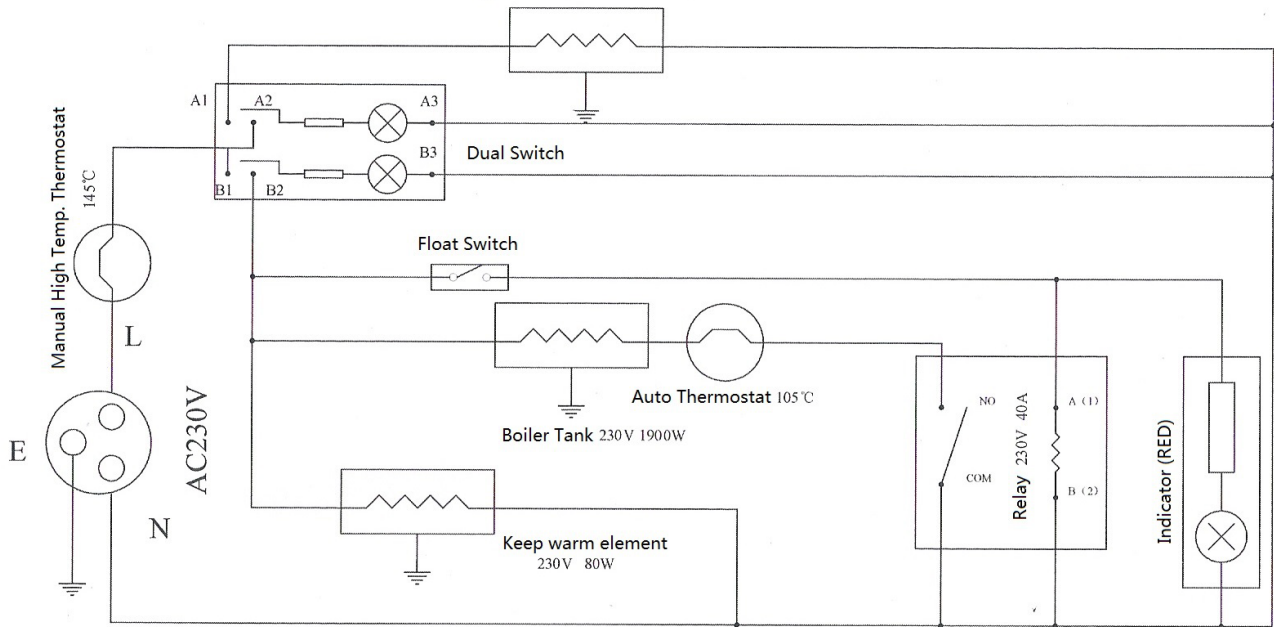
**6. EXPLODED VIEW AND SPARE PARTS LIST**

N°	Description	REF L2G
1	Lid Of Water Reservoir	
2	Fixer of Water Inlet (Left/Right)	
3	Reservoir Cover	
4	Net of Water Entrance	
5	Sealing Washer of Tank	
6	Cord Holder	
7	Upper Frame	
8	Indication Lamp	
9	Tube Connector	
10	Pipe of Hot Water	
11	Sprinkler Joint with screw	
12	Plastic Filter Pan	317-2090-12
13	Sprinkler Cover	
14	Guide (Left/Right)	
15	Sprinkler Set	
16	Body Frame	
17	Dual Switch	317-2090-17
18	Lower Panel	
19	M5 X 10 Screw	
20	Alu Plate for Keep warm element	
21	Mica Warming Plate	317-2090-21
22	Mica Warming Plate Holder	
23	Base Frame	
24	Bottom Heel	317-2090-24
25	OneWay Valve	
26	Boiler Fixer(3pcs per set)	
27	Plate for Water Stop	
28	Reservoir Fixer	
29	Rear Cover	
30	Plastic eservoir	
31	Float Switch	317-2090-31
32	Back Cover	
33	Drain pipe	
34	Outflow Pipe	
35	Auto Thermostat	317-2090-35
36	Boiler Tank	317-2090-36
37	Relay	
38	Manual High Temp. Thermostat	317-2090-38
39	Terminal Block	
40	Inflow Pipe	
41	Relay Fixer	
42	Bottom Cover	
43	Cord Clip	
44	Plug+Power Cord	





**7. ELECTRICAL CIRCUIT**





## **8. STANDARDS AND DIRECTIVES**

### **Meaning of crossed out wheeled dustbin:**

Do not dispose of electrical appliances as unsorted municipal waste, use separate collection facilities.

Contact your local government for information regarding the collection systems available.

If electrical appliances are disposed of in landfills or dumps, hazardous substances can leak into the groundwater and get into the food chain, damaging your health and well-being.

When replacing old appliances with new ones, the retailer is legally obligated to take back your old appliance for disposals at least free of charge.

The device complies with current EU standards and directives. If necessary, we will send you the corresponding declaration of conformity.

### **Packaging disposal**

Please separate the packaging materials accordingly and return them to the responsible collection points for recycling and environmental housing.



### **Device disposal**

once the appliance has been used up, dispose of it properly at a collection point for electrical appliances. Electrical appliances do not belong in household waste.

Your responsible administration will inform you about the addresses and opening hours of collection points. This is the only way to ensure that old appliances are properly disposed of and recycled. Thank you very much!





CE